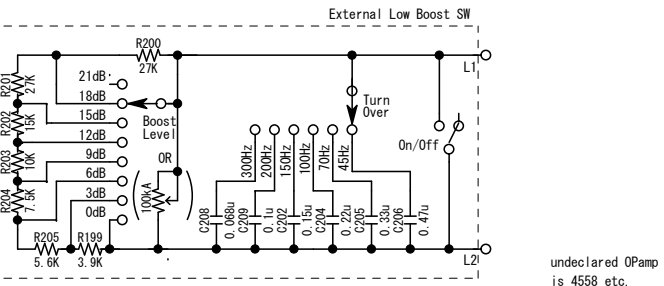
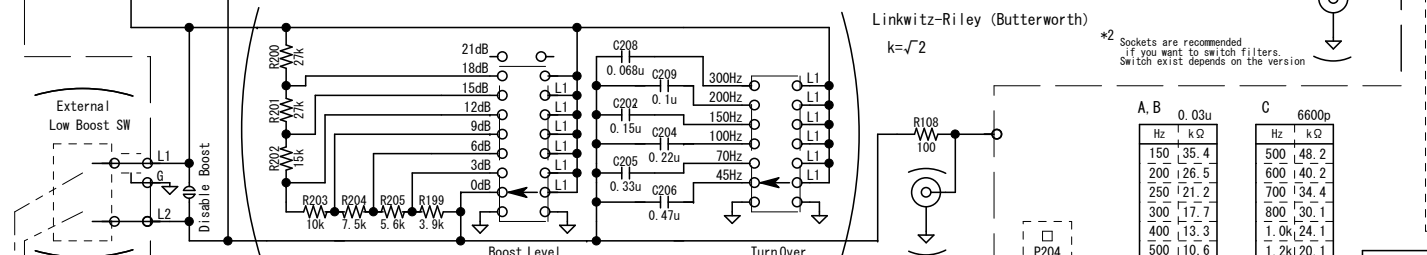
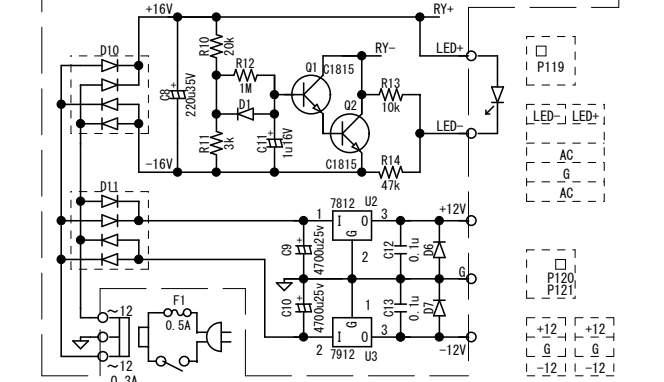
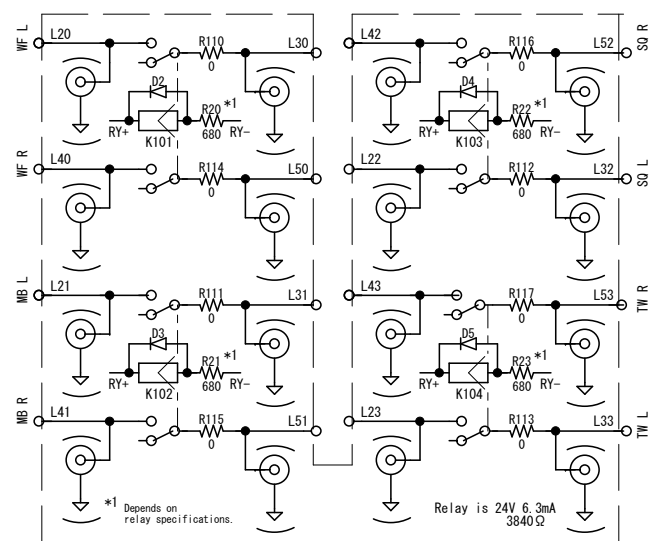
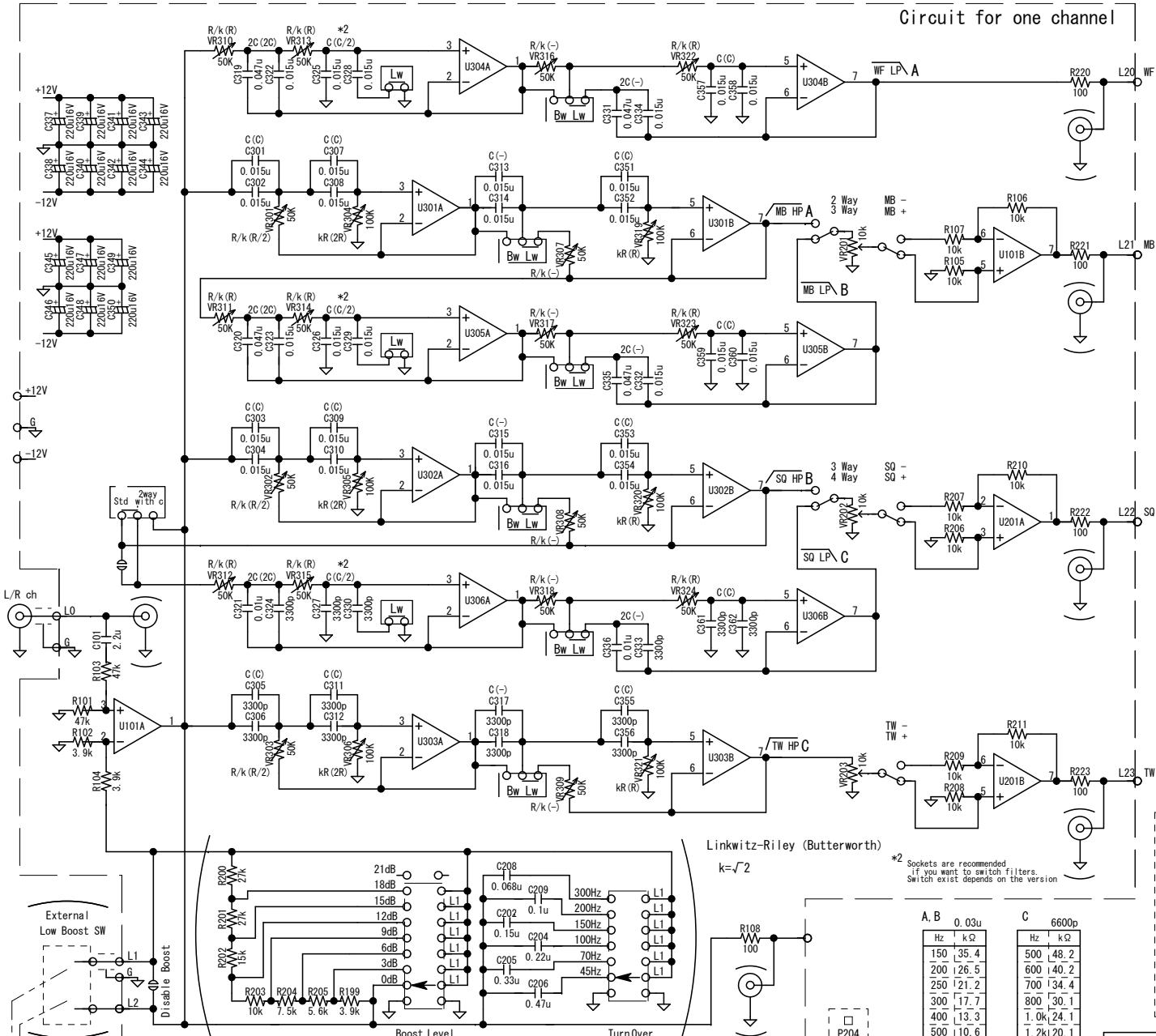


Circuit for one channel



*2 Sockets are recommended if you want to switch filters. Switch exist depends on the version

A, B		C	
Hz	k Ω	Hz	k Ω
150	35.4	500	48.2
200	126.5	600	140.2
250	121.2	700	134.4
300	17.7	800	30.1
400	13.3	1.0k	24.1
500	10.6	1.2k	20.1
600	8.84	1.5k	16.1
700	7.58	2.0k	12.1
800	6.63	3.0k	8.04
1.0k	5.31	4.0k	6.03
1.2k	4.42	5.0k	4.82
1.5k	3.54	5.4k	4.47
2.0k	2.65	6.0k	4.02
3.0k	1.77	7.0k	3.44



TITLE		DRAWING No.	
		2Way / 3Way / 4Way Channel Divider V3.3	
SHEET	DATE	DESIGN	
	2023/6/12		